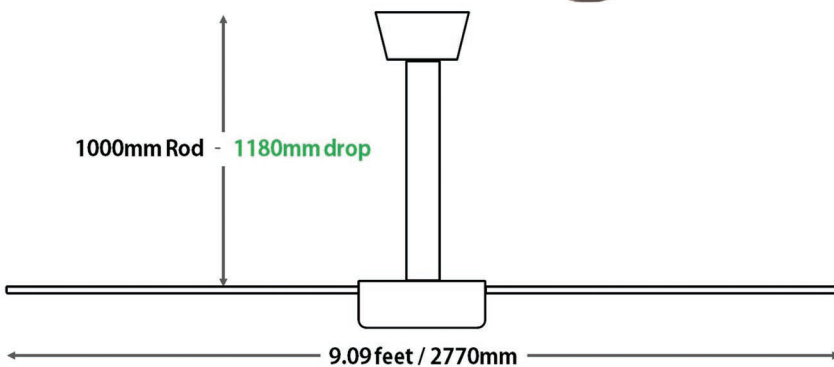


Gale 9

Gale 9 HVLS fan is suitable for any commercial space. It is sleek and slim, incorporating a combination of advanced motor construction and minimalistic design. It performs even better in an air-conditioned environment, allowing for substantial cost savings in your energy bill.

Features

- Brushless DC with Rare Earth Neodymium Permanent Magnets
- Aluminium Thin Aerofoil Blades
- 5 Speed with Reverse (Winter) Option
- High Air Delivery
- Quiet Operation
- Available in Black / White



MODEL	Voltage / Frequency	Power Consumption	Fan Weight (Approx.)	Blades Sweep (Inches/mm)	Downrod (Inches/mm)	RPM
Gale 9	220 - 240V / 50Hz	0.12kW	25kg	109 / 2770	39 / 1000	104

*Specifications subject to change without notice
*Picture illustration may varies with actual products supplied

Marketed by:
Khind Systems (Singapore) Pte Ltd
(formerly known as Ancom Systems (Singapore) Pte Ltd)
 No. 5 Penjuru Close #03-00
 Singapore 608600
 Tel (65) 6862 3777
 Fax (65) 6862 8628
 kssg.sales@khind.com